

ULTRA LOW RANGE PRESSURE DIFFERENCE SWITCHES

CF

INSTALLATION AND OPERATING INSTRUCTIONS

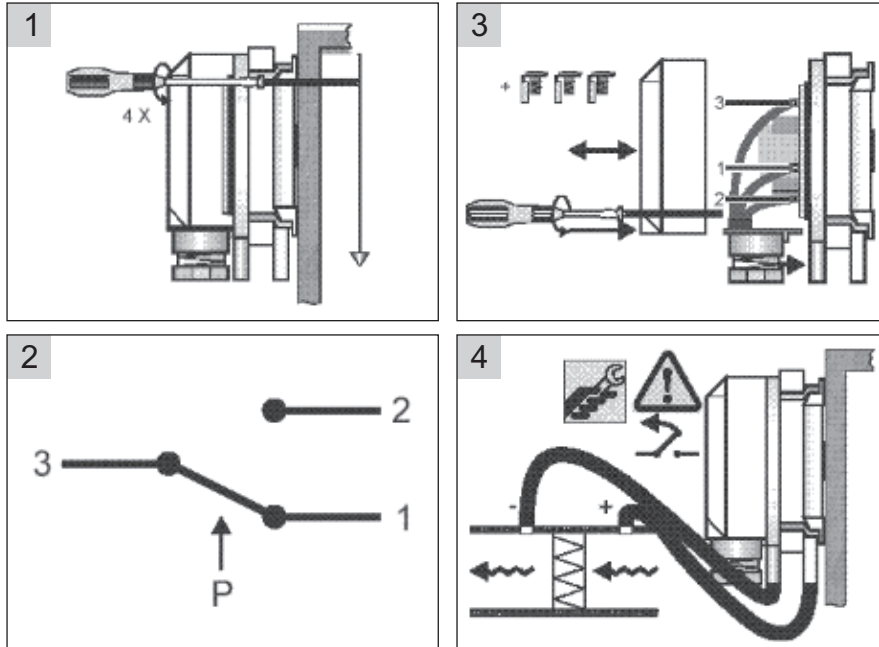
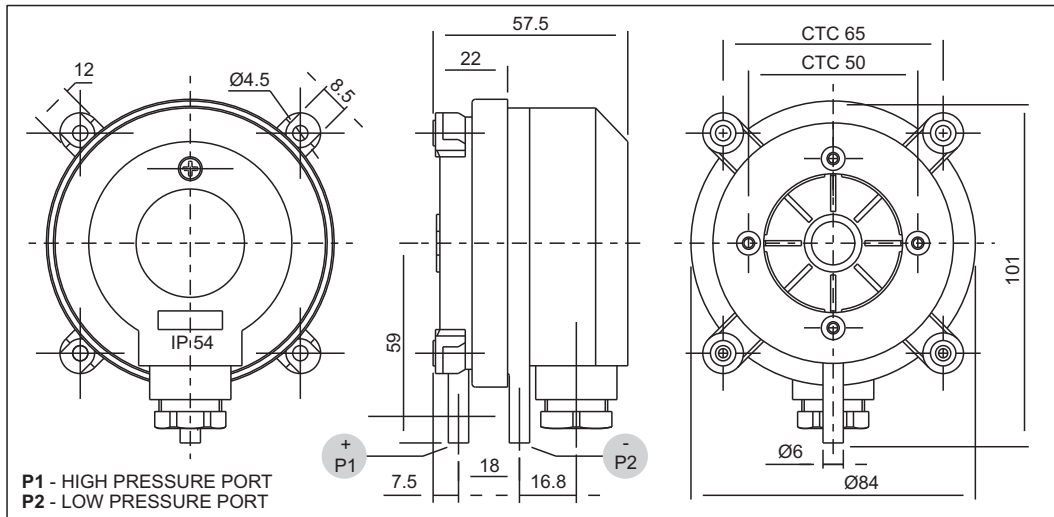
Principle of Operation

When the effective force generated by the pressure difference in the lower and upper chamber of the pressure capsule exceeds/falls beyond the balancing spring forces, an electrical element is actuated.

Mounting

The detail mounting dimensions are shown in Fig. 1

Fig. 1



P1 = higher pressure

P2 = lower pressure

*Use two screws only, for mounting

**Remove transport protection from P2

Note : Do not install upside down with trip pressure of less than 50 Pa.